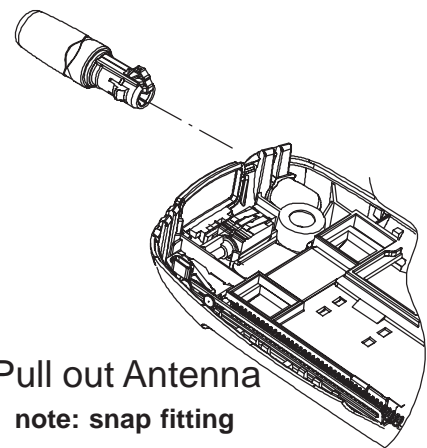
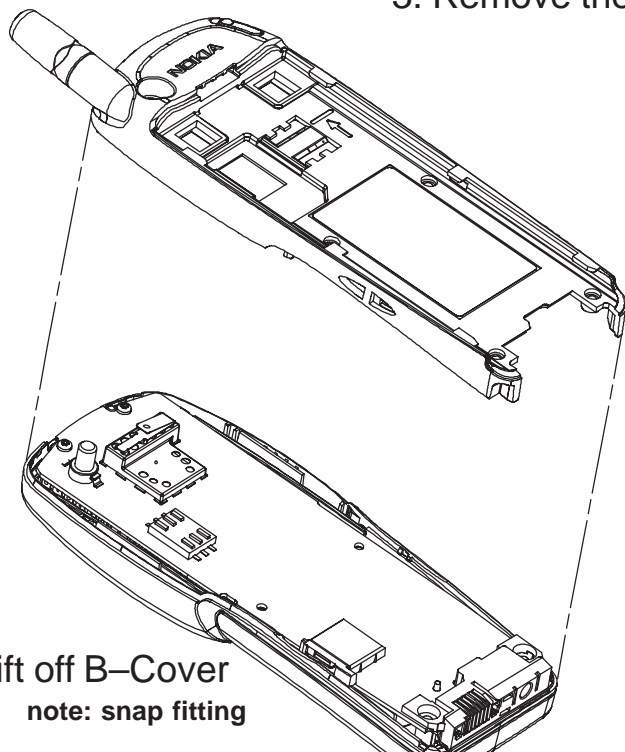
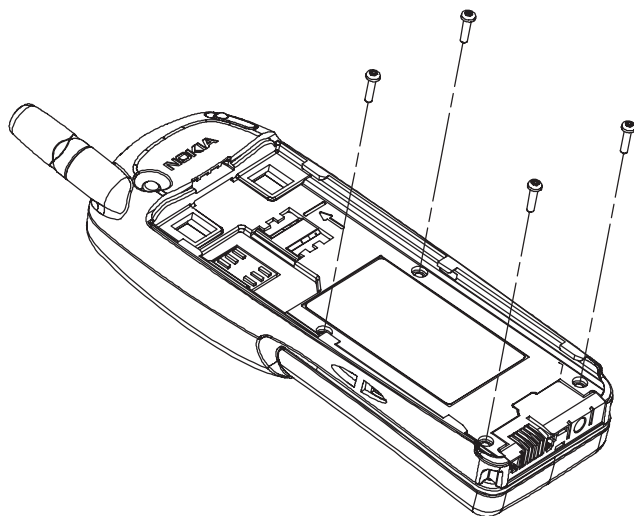
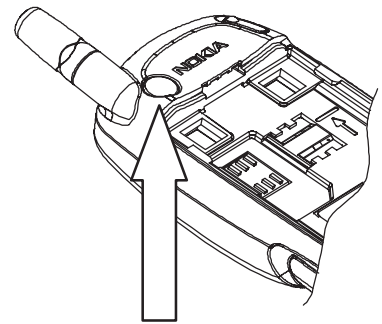
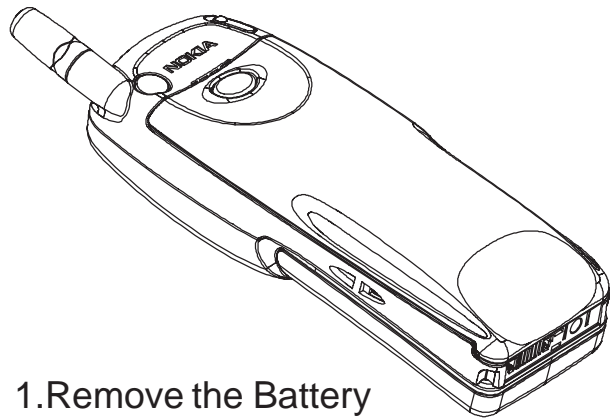
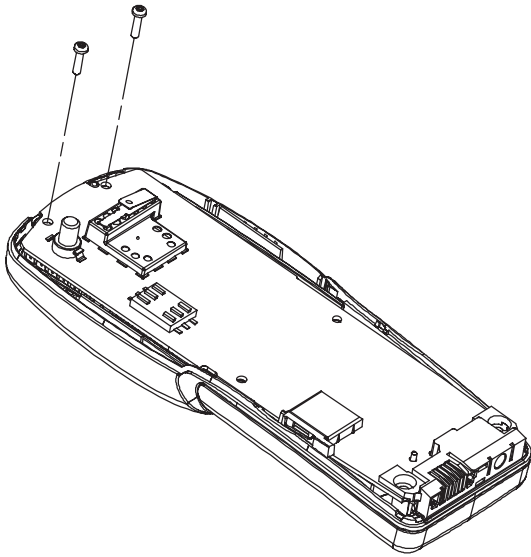


PAMS Technical Documentation
NSE-5 Series Transceivers

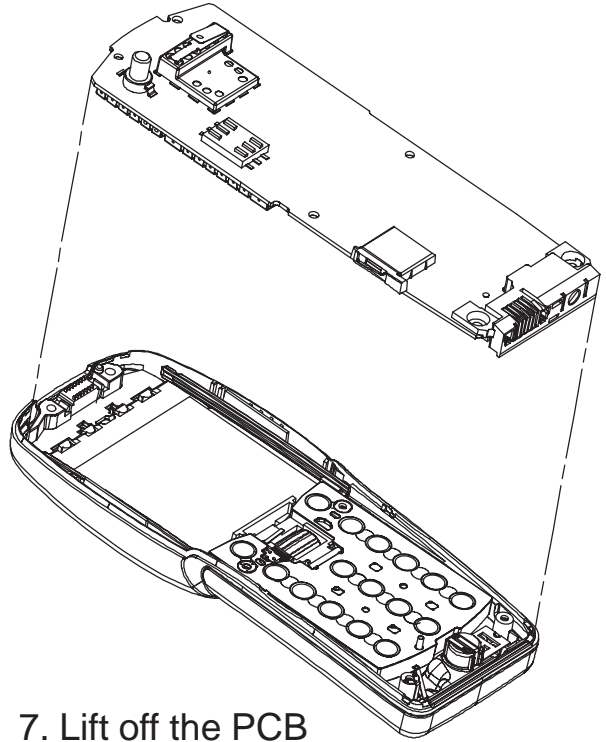
Disassembly Instructions

[This page intentionally left blank]

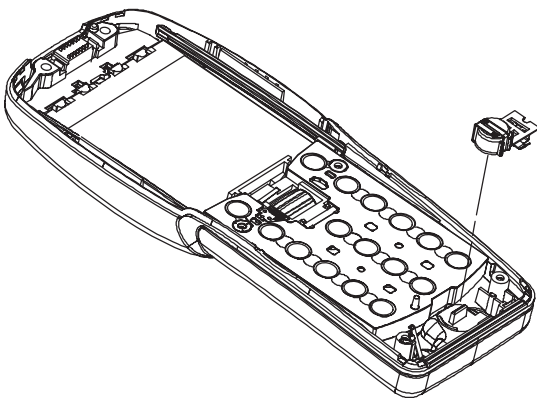




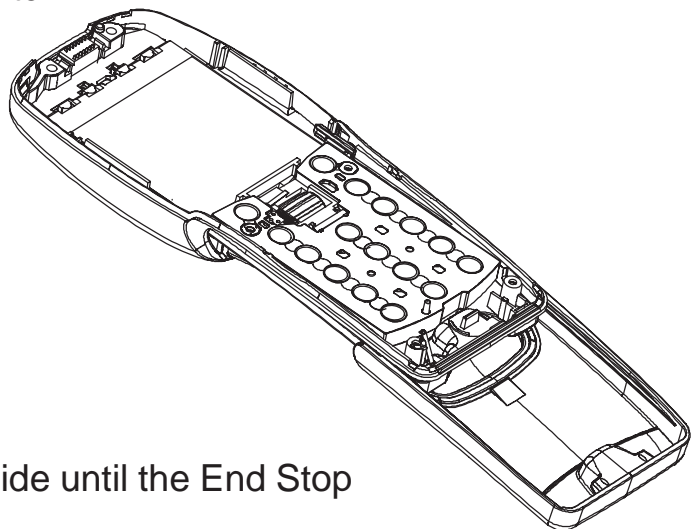
6. Remove the Screws (2x)



7. Lift off the PCB

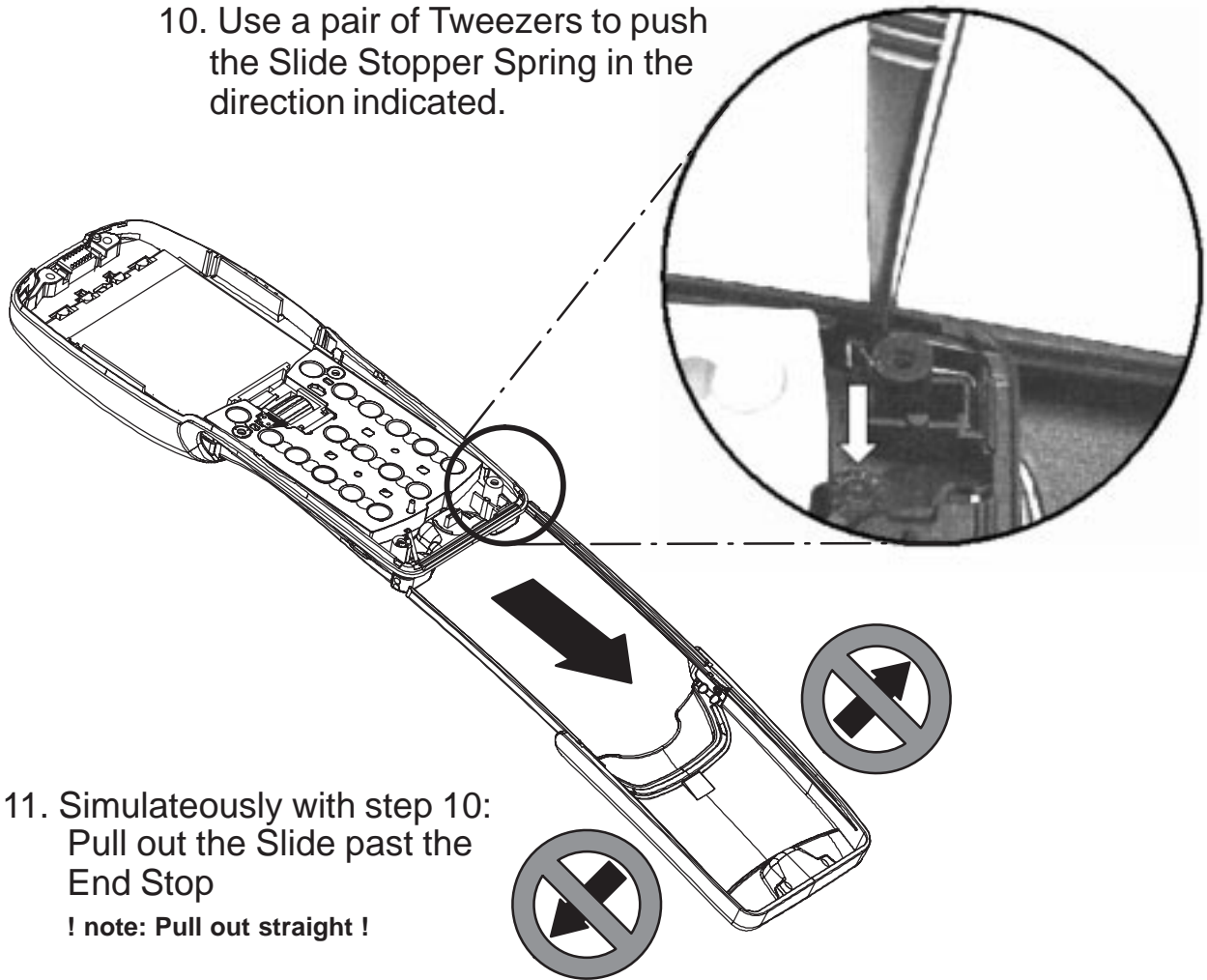


8. Remove the Slide Sensor Switch



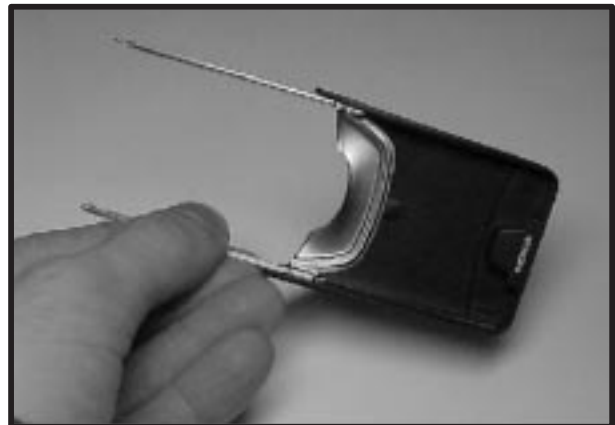
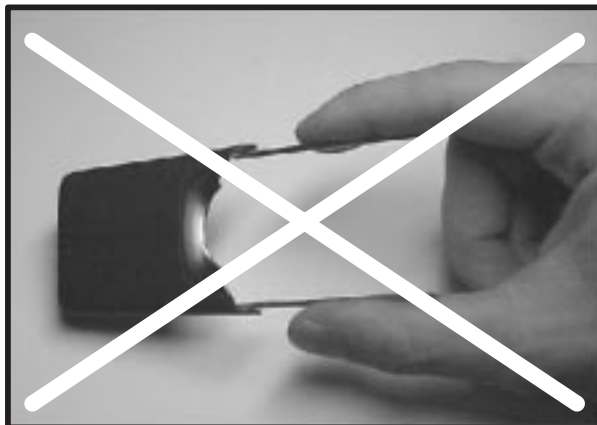
9. Pull out the Slide until the End Stop

10. Use a pair of Tweezers to push the Slide Stopper Spring in the direction indicated.



11. Simultaneously with step 10:
Pull out the Slide past the End Stop
! note: Pull out straight !

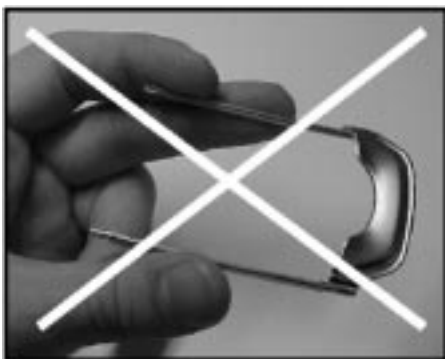
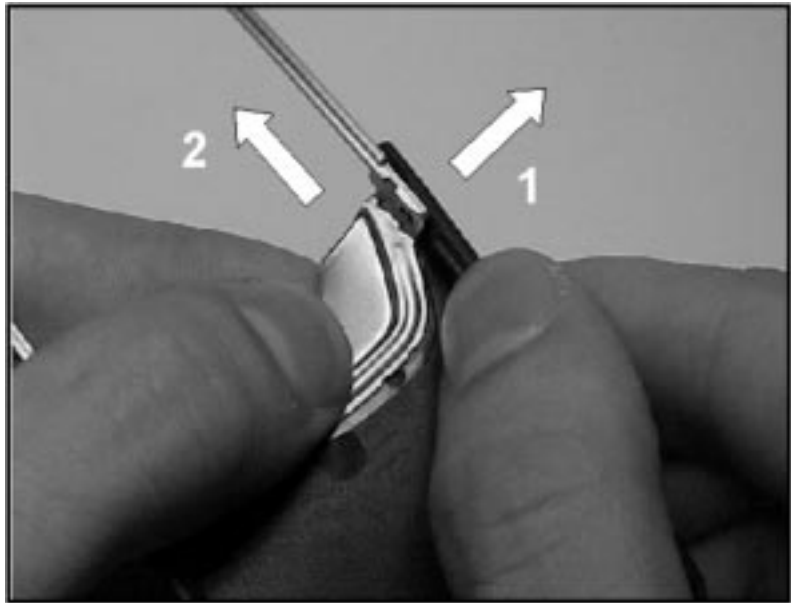
Handling the Slide Assembly:



! DO NOT handle the Slide like this ! **ALWAYS** handle the slide like this.

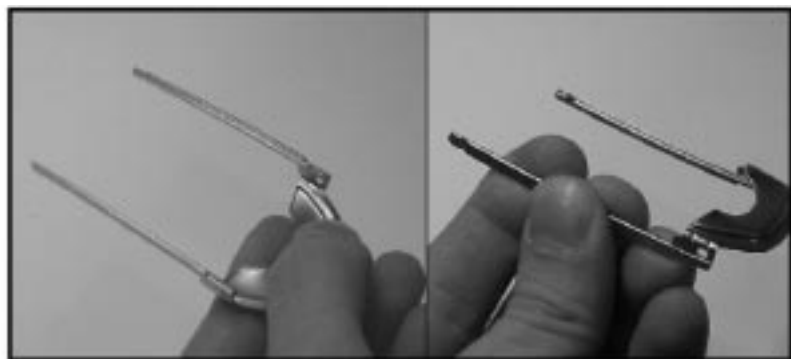
The Metal Slide is bent very easily when it is not protected by the phone.
Avoid bending of the Plungers at all times.

12. Bend open one side of the (plastic) Slide Cover and take out the Metal Slide



! DO NOT !

Hold the Metal Slide like this. The Metal Slide is bent very easily when it is not protected by the phone. Avoid bending of the Plungers at all times.



ALWAYS

Handle the Metal Slide like this. The Metal Slide can be held by the *Targa Bow* or by one of the Plungers.

Fitting a Metal Slide onto a Slide Cover:



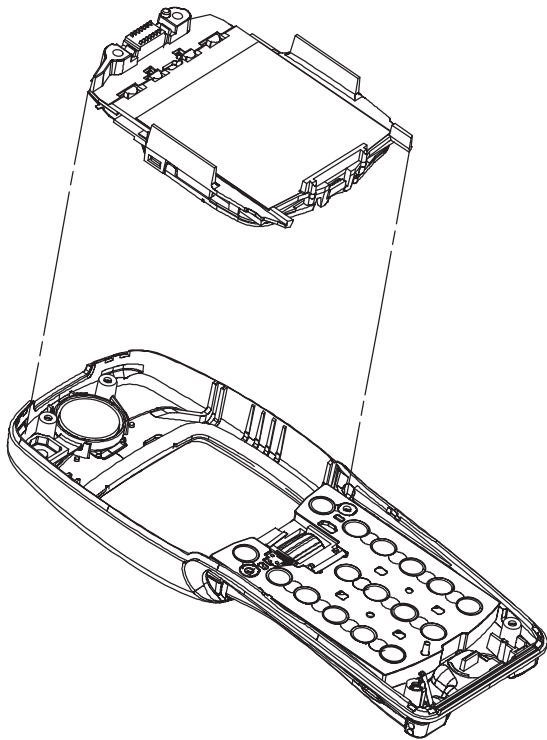
Push the Metal Slide onto the snap on one side of the Slide Cover.



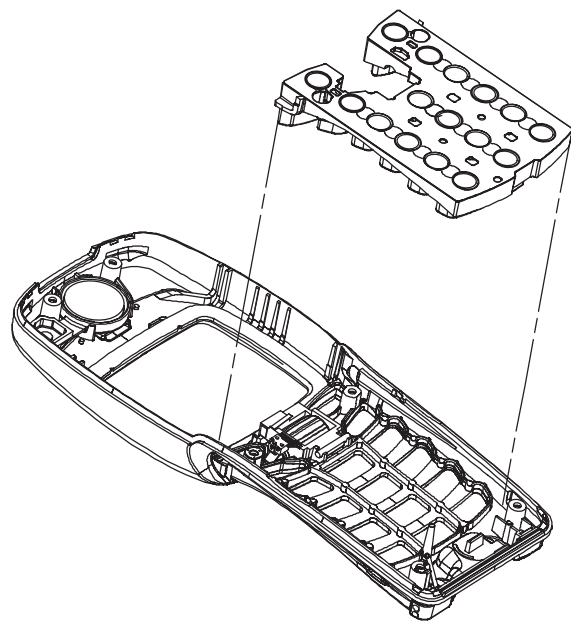
Push down the other side, but do not hit the middle snap.



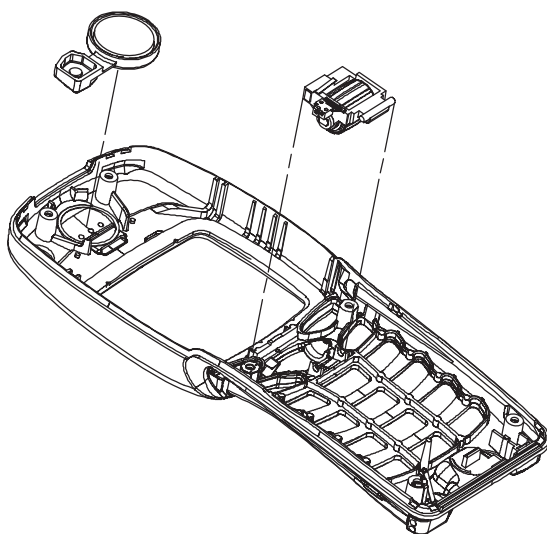
Push the Metal Slide onto the snap on the opposite side. A click should be noticed.



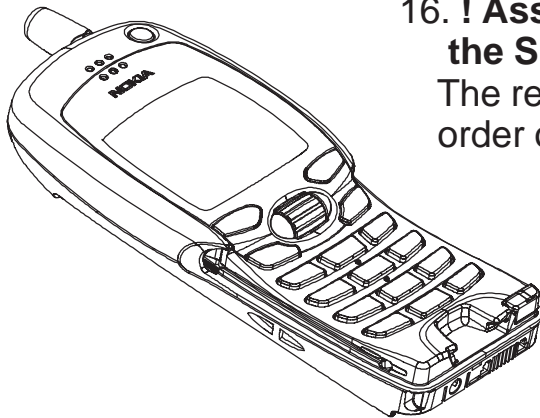
13. Remove the Display Assembly



14. Remove the Keymat Module



15. Remove the Speaker and the Roller Key

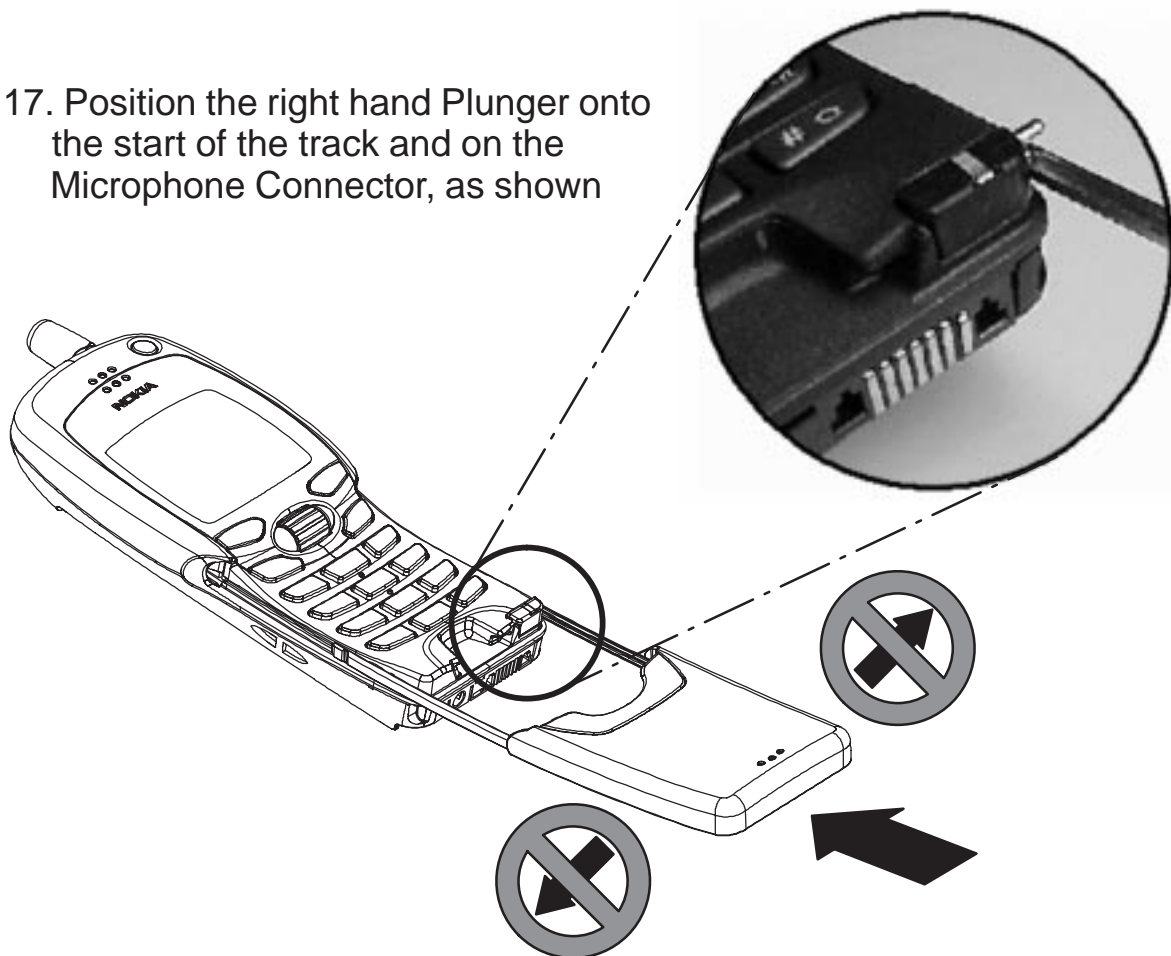


16. ! Assemble the whole phone before fitting the Slide Assembly !

The remaining assembly is done in the reverse order of the disassembly.

Note Torque for screws 0.2Nm

17. Position the right hand Plunger onto the start of the track and on the Microphone Connector, as shown



18. Position the left hand Plungers onto the start of the track and push the Slide Assembly into the phone.

! Push the Slide Assembly straight into the phone to avoid bending of the Plungers !